

Saliva Collection Kit, ITM



- Funnel x 1
- Storage vial x 1
(contains 2.0 mL of preservation solution)
- Sample bag x 1
- Instructions x 1
- Barcode x 4
- Saliva collecting vial cap x 1
- Saliva collecting vial x 1

Painless

Safe

Collect
High Quality
Saliva
Sample

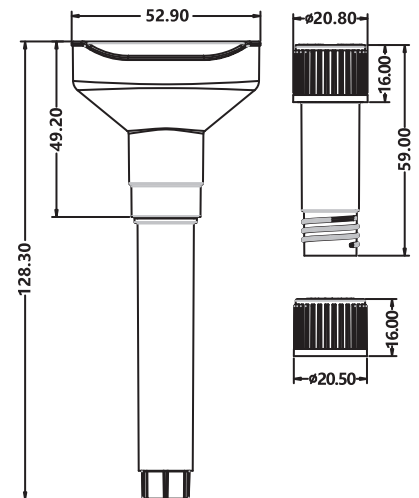
Saliva Collection Kit with ITM

Cat. No.: 203011

Individually packaged in blister card, 100 Kits/Case

Features :

- Use at normal room temperature;
- The 5 mL preservation solution vial is filled with 2 mL ITM solution;
- Samples can be stored and transported at room temperature;
DNA samples can be stored stably for 12 months;
RNA samples can be stored steadily for 1 month.
- This preservation solution has good antibacterial performance and high storage efficiency and can ensure the integrity of viral nucleic acids in the sample when it is used to store inactivated viral samples.



Introduction

- The product is used to collect high-quality DNA/RNA samples in the saliva.
- The collection process is painless and won't cause any injury or discomfort to the human body.
- The collected samples can be used for various biological experiments such as enzymatic hydrolysis, PCR and next-generation sequencing and are widely used in the collection and preservation of specimens in hospitals, scientific research institutions and households.

Design Advantages

Double Safety Structure Design



➤ Anti-unscrew Storage Vial Cap Design:

The storage vial cap can't be unscrew. Efficiently prevent users from accidentally eating the solution.

➤ Transferring preservation solution safely without potential danger:

During the process of use, just insert the bottom of storage vial into the saliva collection cup, and screw down. Then the solution will flow into the saliva collection cup automatically. Preventing the users contacting the storage solution directly.

➤ Inactivation Transport Medium:

The inactivation transport medium could provide good protection for medical personnel.

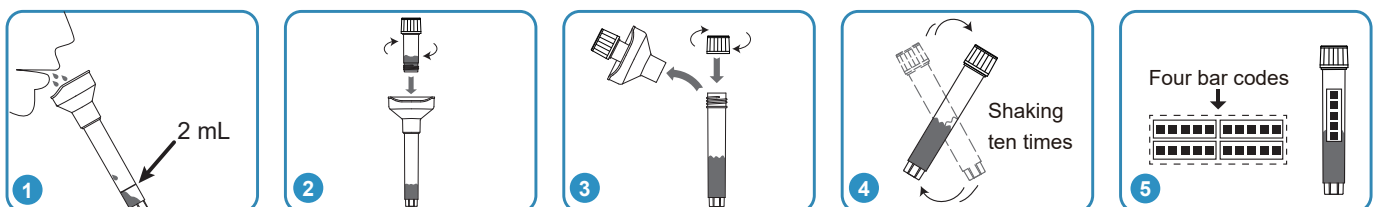
➤ Room Temperature Storage and Transportation:

The preservation solution can be transported and stored at room temperature.

➤ Painless Collection:

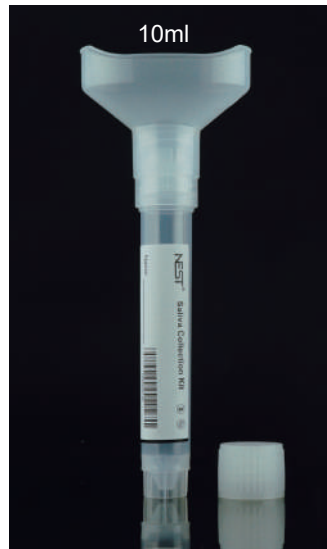
The collection process is painless and won't cause any injury or discomfort to the human body. It can perfectly replace blood DNA/RNA sample, especially for patients who are unwilling or unable to cooperate with blood sampling.

Operation Instructions



Take out a bar code from the packing box and stick it on the saliva collecting vial, then put the collecting vial with bar code and two bar codes into the sample bag for storage, transportation or testing, and the remaining bar code is kept by the user for subsequent information feedback.

Saliva Collection Kit without Solution



Cat.No.	Product Description	/Pk	/Cs
203102	Disposable Sampler, Saliva Collection Kit without Solution, Each Kit Includes a 10 mL Vial with a Funnel, Sterile Pack, 100 kits/case	1	100
203101	Disposable Sampler, Saliva Collection Kit without Solution, Each Kit Includes a 5 mL Vial with a Funnel, Sterile Pack, 100 kits/case	1	100

Features

- USP VI Polypropylene vials.
- Collection process is painless and safe.
- The humanized design of funnel conforms to the mouth shape of human, making the collection process simple and easy.
- Good sealing, effectively prevent leakage and contamination of specimens, easy to preserve and transport, safe and reliable.
- The bottom of the collecting vial is conical, which is convenient for concentrated sample processing.
- Bar codes are easy to manage digitally, and labels with writing areas are convenient for users to record information.
- Sterile, RNase/DNase free, non-pyrogenic.

